

# **GoTo** Products Focused Delivery Program

Electric Drives  
and Controls



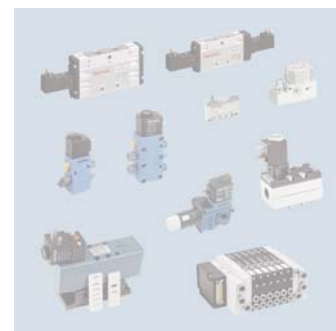
Hydraulics



Assembly  
Technologies



Pneumatics



# Aluminum Framing *GoTo* Catalog

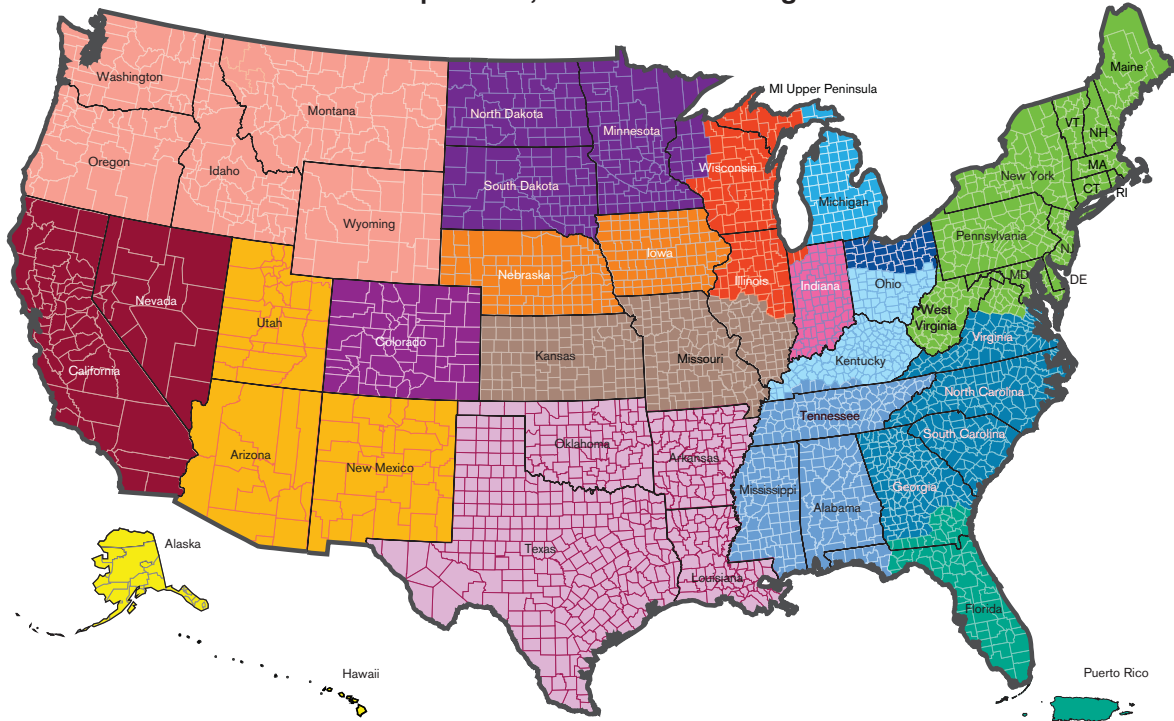
Bosch Rexroth is pleased to present aluminum structural framing as part of our *GoTo* Focused Delivery Program. The *GoTo* program provides you with fast delivery of the industry's most widely used aluminum framing products, and lets you "go to" quick reference internet pages for more information, technical

specifications and ordering details.

For additional information on the *GoTo* Program and a complete list of other quality Rexroth products available in the focused delivery program go to:

[www.boschrexroth-us.com/GoTo](http://www.boschrexroth-us.com/GoTo).

## Bosch Rexroth Corporation, Aluminum Framing Distributor List



**Advanced Air Products Automation**  
2901 S. Tejon St.  
Englewood, CO 80110  
(866) 666-8684  
[www.aapautomation.com](http://www.aapautomation.com)

**Automation Technology Inc.**  
2770 Zion Church Rd.  
Concord, NC 28025  
(800) 672-7575  
[www.automationtechnologyinc.com](http://www.automationtechnologyinc.com)

**Handling Systems, Inc.**  
106 Park South Court  
Nashville, TN 37210  
(800) 229-9977  
[www.handlingsystems.com](http://www.handlingsystems.com)

**Pacific Integrated Handling**  
10215 Portland Ave  
Tacoma, WA 98445  
(888) 550-5888  
[www.pacificintegrated.com](http://www.pacificintegrated.com)

**Airline Hydraulics**  
3557 Progress Drive  
Bensalem, PA 19020  
(800) 999-7378  
[www.airlinehyd.com](http://www.airlinehyd.com)

**Bosch Rexroth Corporation Western Regional Office**  
7901 Stoneridge Drive, Suite 220  
Pleasanton, CA 94588  
(925) 227-1074  
[www.boschrexroth-us.com](http://www.boschrexroth-us.com)

**Hitech Automation**  
400 Axminister Drive  
Fenton, MO 63026  
(636) 305-9988  
[www.hitech-automation.com](http://www.hitech-automation.com)

**Pacific Integrated Handling**  
928 S. 52nd Street #105  
Tempe, AZ 85281  
(888) 305-8789  
[www.pacificintegrated.com](http://www.pacificintegrated.com)

**Airline Hydraulics**  
200 Mile Crossing Blvd. Suite 1B  
Rochester, NY 14624  
(800) 477-9772  
[www.airlinehyd.com](http://www.airlinehyd.com)

**CMA/Flodyne/Hydradyne**  
1000 Muirfield Drive  
Hanover Park, IL 60133  
(630) 563-3600  
[www.flodyne.com](http://www.flodyne.com)

**Iowa Fluid Power**  
1610 Blairs Ferry Road NE  
Cedar Rapids, IA 52402  
(800) 333-7004  
[www.ifpusa.com](http://www.ifpusa.com)

**Queen City Supply**  
1859 Section Rd.  
Cincinnati, OH 45237  
(513) 351-9500  
[www.qcsautomation.com](http://www.qcsautomation.com)

**Valin – Automation Controls, Inc.**  
555 E. California Avenue  
Sunnyvale, CA 94086  
(800) 774-5630  
[www.automationcontrols.com](http://www.automationcontrols.com)

**FlexMation**  
14501 Judicial Road, Suite 50  
Burnsville, MN 55306  
(952) 898-1311  
[www.flexmation.com](http://www.flexmation.com)

**MICCO**  
25831 Commerce Drive  
Madison Heights, MI 48071  
(248) 584-4440  
[www.miccolucent.com](http://www.miccolucent.com)

**Bosch Rexroth Corporation**  
816 East Third Street  
Buchanan, MI 49107  
(800) 322-6274  
[www.boschrexroth-us.com](http://www.boschrexroth-us.com)

**Valin – Automation Controls, Inc.**  
1701 E. Edinger Ave, Bldg. J  
Santa Ana, CA 92705  
(800) 774-5630  
[www.automationcontrols.com](http://www.automationcontrols.com)

**Gulf Controls Company, LLC**  
5201 Tampa W. Blvd  
Tampa, FL 33634  
(800) 282-9125  
[www.gulfcontrols.com](http://www.gulfcontrols.com)

**Mosier Automation**  
9851 Park Davis Drive  
Indianapolis, IN 46235  
(317) 895-6200  
[www.mosierautomation.com](http://www.mosierautomation.com)

**Womack Machine Supply Co.**  
13835 Senlac Drive  
Farmers Branch, TX 75234  
(800) 569-9801  
[www.womack-machine.com](http://www.womack-machine.com)

## *GoTo* Focused Delivery Program

The ***GoTo*** Focused Delivery Program streamlines everything to make it easier for you to get a selection of our most popular Rexroth products faster. You'll benefit from quicker access to product information, reliable lead times that meet or beat the expectations of the market, simplified pricing and enhanced

customer service. Go to our website at:

**[www.boschrexroth-us.com/GoTo](http://www.boschrexroth-us.com/GoTo)** for information on ***GoTo*** products from among all of Rexroth's technologies. It's the fastest and easiest way to get started on your next application.

**Distributed by:**

**For our complete product portfolio please visit our website at:  
[www.boschrexroth-us.com](http://www.boschrexroth-us.com) and select "Products and Solutions"  
or call 1.800.REXROTH (739-7684)**

### *GoTo* Program Delivery Conditions

- Current ***GoTo*** program content and guidelines are specified at: **[www.boschrexroth-us.com/GoTo](http://www.boschrexroth-us.com/GoTo)**
  - How to Order: Please state clearly for each line item on the purchase order that ***GoTo*** lead times are required.
  - Orders for products exceeding the current program quantity limits may be acknowledged with extended delivery.
  - Items listed in this catalog will be shipped from your local distributor or Bosch Rexroth location within the time frame stated in this catalog. For urgent delivery requirements, please check with your local sales office.
  - Order via the Rexroth Distributors listed on the inside front cover.
- All items subject to prior sale. It is advisable to confirm critical delivery requirements at time of order. All sales subject to Bosch Rexroth Corporation Terms & Conditions of sales, which you can read at:  
**[www.boschrexroth-us.com/terms](http://www.boschrexroth-us.com/terms)**
- Bosch Rexroth reserves the right to make program changes at any time without notice.

#### **WARNING!**

Failure, improper selection or improper use of the products and/or systems described herein or of related items may cause personal injury or property damage.

This document and other information from Bosch Rexroth Corporation and its divisions provide products and/or system options for further investigation by users having technical expertise. It is important that you analyze all aspects of your application and review the information concerning the products or systems in Rexroth's Data Sheets. Due to the variety of operating conditions and applications for these products or systems, the user, through his own analysis and testing, is solely responsible for making the final selection of the products and systems, and assuring that all performance, safety and warning requirements are met.

The products described herein, including without limitation, product features, specifications, designs and pricing are subject to change at anytime without notice.

# Table of Contents

	Page No.
Profiles	6
Gussets	7
90° Connectors	8
Profile Connectors	9
T-Nuts and T-Bolts	10
T-Blocks, Springs and Swivel-in T-Blocks	11
Leveling Feet and End Caps	12
Foundation Brackets	13
End Caps	14
Cover Strip	15
Other Accessories	16
EcoShape Tubular Framing	18
Part Numbers	19

## Liability:

In no event can the manufacturer accept warranty claims or liability claims for damages resulting from improper use or misuse of the equipment or as a result of changes made to the equipment other than those authorized by the manufacturer. The manufacturer will accept no claim in which non-original spare parts have been used.

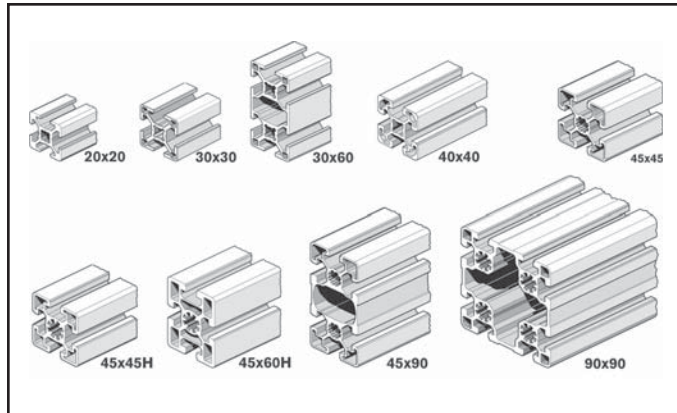
© 2009, Bosch Rexroth Corporation

All rights are held by ROBERT BOSCH GMBH and BOSCH REXROTH CORPORATION, also regarding patent claims.

**We reserve the right to make technical changes at any time without notice.** Errors and omissions excepted.

*GoTo* Focused Delivery Program: Profiles

## Profiles



Rexroth offers a variety of popular *Profiles* in the ***GoTo*** program to cover most applications. These profiles are sold in full length uncut sticks in single or bundle quantities. All have T-slots on each side to making it easy to bolt together just about any structure you can imagine using Rexroth T-bolts, T-nuts and a few simple hand tools.

For complete engineering and design information:  
***GoTo*** [www.boschrexroth-us.com/GoToProfiles](http://www.boschrexroth-us.com/GoToProfiles)

### Features:

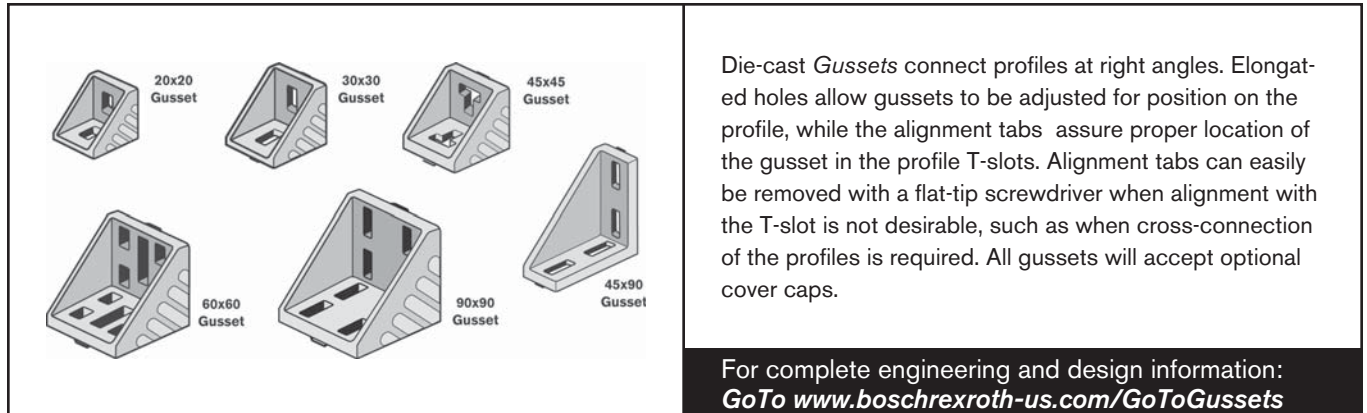
- High-strength extruded aluminum
- Natural color anodized surface
- Scratch and corrosion-resistant
- Never needs painting
- Maintenance free

### Technical Data

- Material number according to DIN (ISO)– Metric 3.3206.7 (U.S. Equivalent 6063 T6)
- Tensile strength (expected)– Metric  $R_m=250 \text{ N/mim}^2$  (U.S. Equivalent 36,000 lb/in.<sup>2</sup>)
- Brinell hardness–75HB
- Anodizing process–layer thickness–layer hardness  
Metric: E6/EV1 - 12 um - 300 HV  
U.S. Equivalent - R204 - (.0003 in-300HV)

GoTo Focused Delivery Program: Gussets

## Gussets



### Features:

- T-slot alignment tabs for easy positioning and reduced assembly time
- Clean professional appearance
- Connects anywhere on the profile T-slot
- Optional cover caps available
- No machining of the profile required for installation

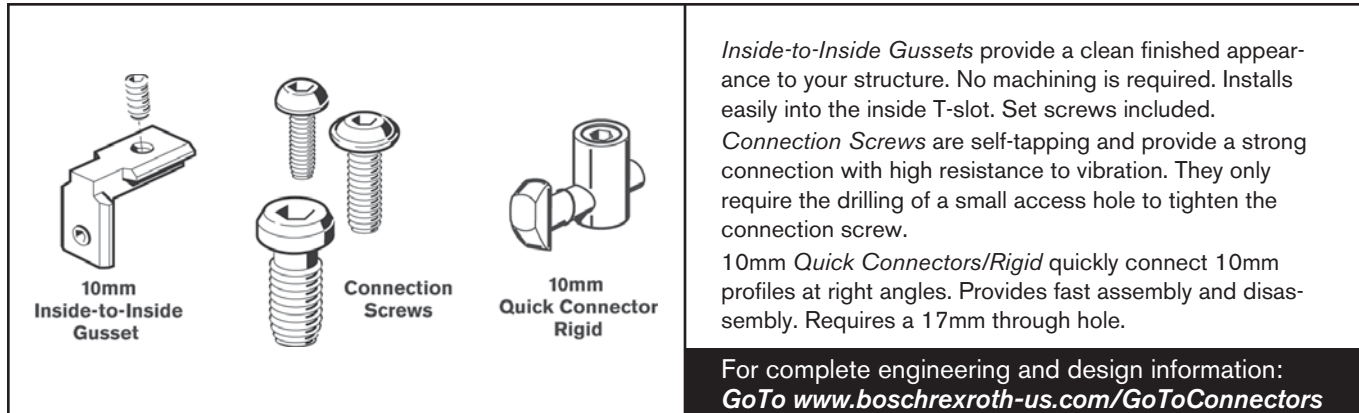
### Technical Data

- Gusset material: die-cast aluminum
- Gusset fasteners: zinc-plated steel
- Cover caps: black polyamide 8

See Page 20 for part numbers and ordering information

GoTo Focused Delivery Program: Profile Connectors

## 90° Connectors



### Features:

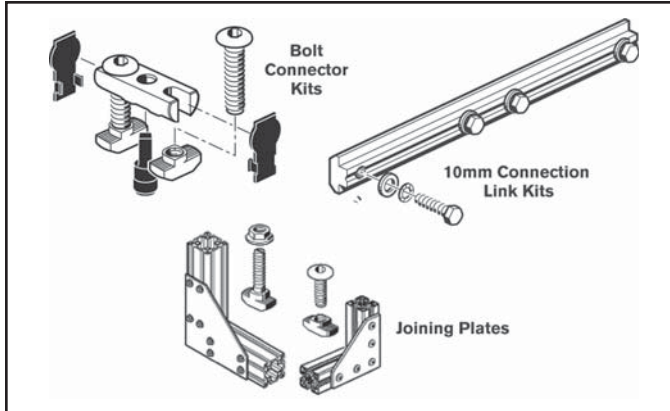
- The Inside-to-Inside Gusset uses set-screw installation, and it's easy to adjust profiles after the structure is assembled.
- The Connection Screw does not obstruct the profile T-slot and all but the M-12x30 are self-tapping.
- The 10mm Quick Connector/Rigid keeps three T-slots open for mounting panels or accessories.

### Technical Data

- Inside-to-Inside Gusset is die-cast brass
- Connection Screws and Quick Connectors are zinc plated industrial grade 8.8 steel

GoTo Focused Delivery Program: Profile Connectors

## Profile Connectors



*Bolt Connector Kits* provide the strongest right angle connection and require only 1 through hole in the profile to engage the bolt connector.

Use the *10mm Connection Link Kit* to join two pieces of profile end-to-end. The Connection Kit can be used in any 10mm T-slot and requires no machining to install.

For complete engineering and design information:  
**GoTo [www.boschrexroth-us.com/GoToConnectors](http://www.boschrexroth-us.com/GoToConnectors)**

### Features:

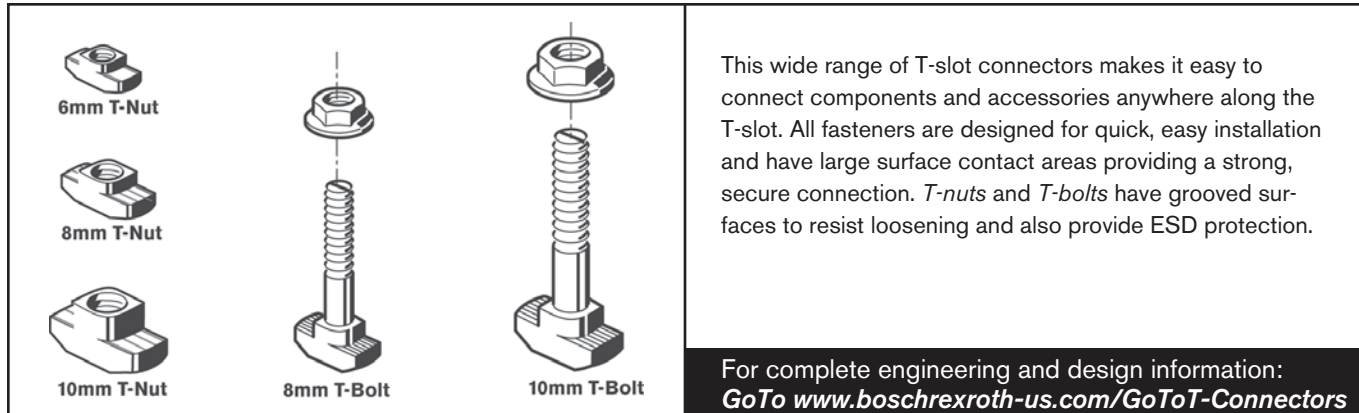
- The Bolt Connector provides the strongest connection and its centering pin makes it easy to achieve precise alignment.
- A 10mm Connection Link is ideal for extending the length of a profile.

### Technical Data

- Bolt Connectors are zinc plated industrial grade 8.8 steel
- 10mm Connection Links are zinc plated steel

GoTo Focused Delivery Program: T-Slot Connectors

## T-Nuts and T-Bolts



### Features:








- T-nuts install anywhere along the profile T-slot, rotating and locking into position. The tapered neck simplifies assembly, and the T-nut is self-aligning in the T-slot.
- T-bolts install anywhere along the profile T-slot, rotating and locking into position. The tapered neck simplifies assembly, and the T-bolt is self-aligning in the T-slot. The positioning groove on the end of the T-bolt visually indicates when it is properly positioned in the T-slot.

### Technical Data

- T-nuts and T-bolts made of zinc plated grade 8.8 steel

GoTo Focused Delivery Program: T-Slot Connectors

## T-Blocks, Springs and Swivel-in T-Blocks

			
6mm T-Block	8mm T-Block	10mm T-Block	
			
6mm Spring	8mm Spring	10mm Spring	

These T-slot Connectors can be used to fasten heavy components and accessories anywhere along the T-slot. The extra large contact surface with the inside of the profile provides a strong secure connection. All connectors can be easily repositioned in the T-slot. *T-blocks* slide into the end of the profile. The *Swivel-in T-block* with integrated spring can be installed anywhere along the T-slot.

For complete engineering and design information:  
**GoTo [www.boschrexroth-us.com/GoToT-Connectors](http://www.boschrexroth-us.com/GoToT-Connectors)**

### Features:

- T-blocks slide into the end of the T-slot and are used to fasten heavy loads to profiles. The extra large contact area provides a strong secure connection. Springs can be installed behind the T-blocks to hold them in place while making vertical connections.
- Swivel-in Spring T-blocks provide the same benefits as the T-blocks but can be installed anywhere along the profile T-slot. They can be repositioned in the T-slot and the integrated spring holds the connector in position while making vertical connections.

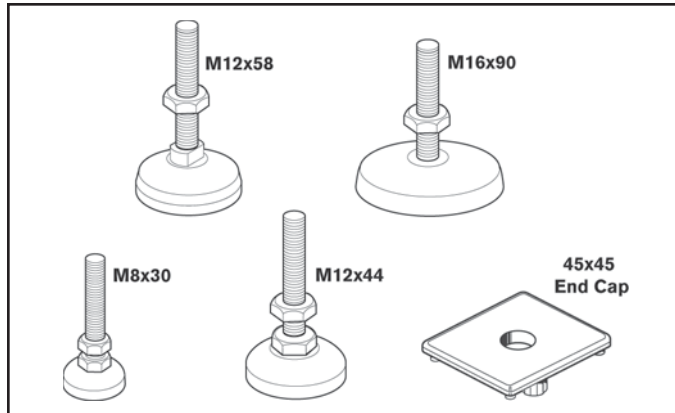
### Technical Data

- T-blocks and Swivel-in T-blocks made of zinc plated grade 8 steel
- Springs made of spring steel

See Page 23 for part numbers and ordering information

GoTo Focused Delivery Program: Floor to Frame Elements

## Leveling Feet and End Caps



*Leveling Feet* ensure that every structure you build has a sturdy, secure foundation. They help you level and secure your structure to meet a variety of application requirements. *Leveling Feet* can be used on the shop floor as well as the office. The *End Cap with Hole* provides a clean finished appearance to the end of the profile when using leveling feet. They provide a perfect foundation for machine frames, tables, workstations, conveyor supports or other structures.

For complete engineering and design information:  
GoTo [www.boschrexroth-us.com/GoToFloor](http://www.boschrexroth-us.com/GoToFloor)

### Features:

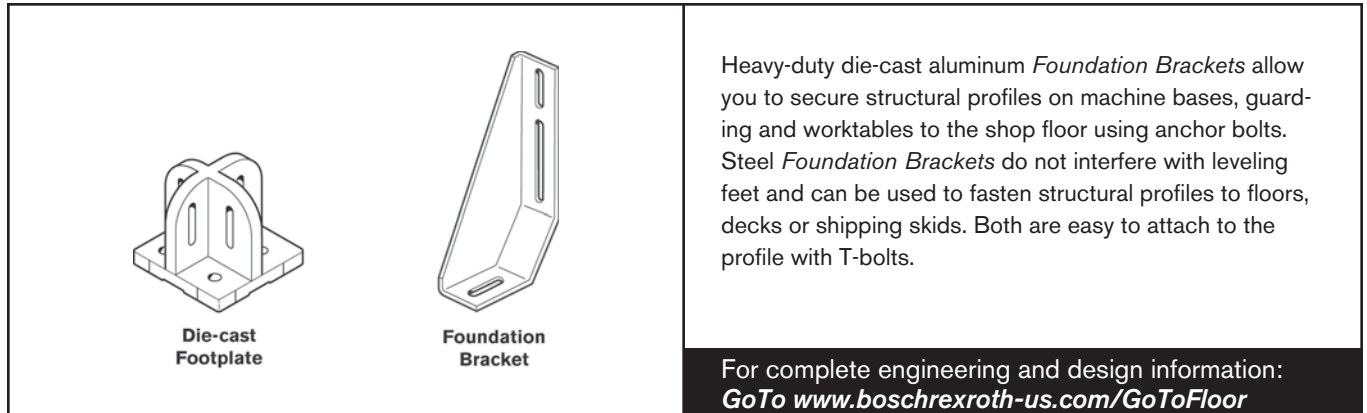
- All Leveling Feet feature bases that swivel 5° to compensate for uneven floors. The threaded shaft has a wide adjustment range to ensure levelness of any structure.
- End Caps with Holes clip easily into the ends of the profile and provide a clear through-hole for leveling foot installation.

### Technical Data

- Leveling Foot threaded shaft made of galvanized steel
- Foot made of zinc plated steel
- End Caps made of black polyamide 6

GoTo Focused Delivery Program: Floor to Frame Elements

## Foundation Brackets



### Features:

- Foundation Brackets do not interfere with leveling feet and attach directly to the profile T-slot. Available in 160mm or 210mm lengths they can easily be secured to a concrete floor with an 8mm anchor bolt, 76mm long (not included).
- The 120 x 120mm heavy duty die-cast aluminum Footplate can be used with 45 x 45, 45 x 60 and 60 x 60 profiles vertically to secure structures to the floor. Adjustment marks on the sides of the footplate align with the profile center line to aid in positioning. Profile edges fit flush with footplate to create an unobstructed walkway along the edge of the structure.

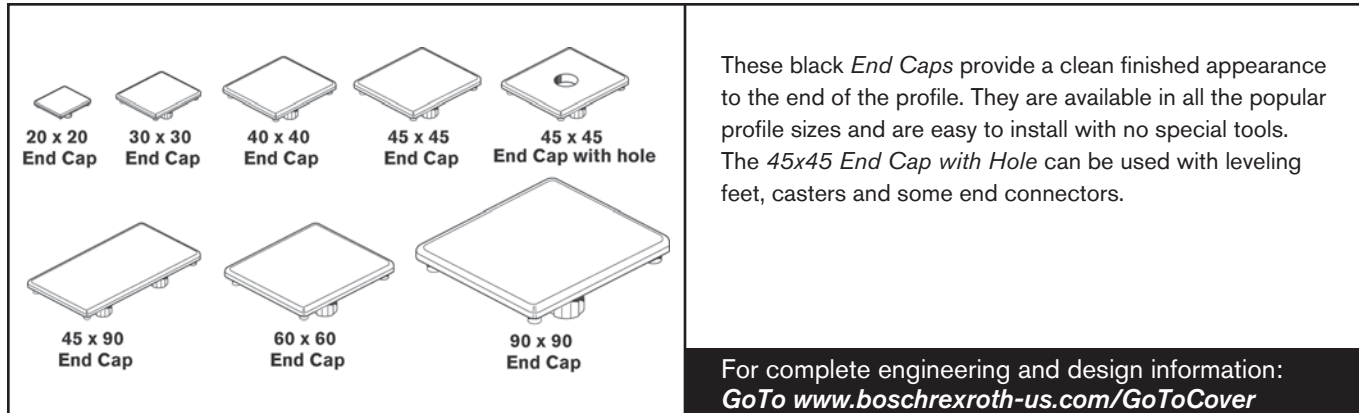
### Technical Data

- Foundation Brackets made of zinc-plated sheet steel
- Die-cast Footplates made of die-cast aluminum

See Page 24 for part numbers and ordering information

GoTo Focused Delivery Program: Finishing Elements

## End Caps



These black *End Caps* provide a clean finished appearance to the end of the profile. They are available in all the popular profile sizes and are easy to install with no special tools. The *45x45 End Cap with Hole* can be used with leveling feet, casters and some end connectors.

For complete engineering and design information:  
**GoTo** [www.boschrexroth-us.com/GoToCover](http://www.boschrexroth-us.com/GoToCover)

### Features:

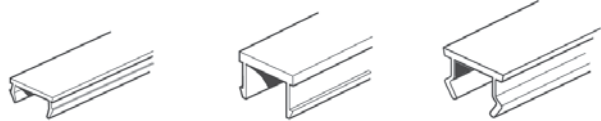
- End Caps snap-in place into the end of the profile and won't fall out accidentally.
- No special tools required.

### Technical Data

- End Cap material is polyamide 6

GoTo Focused Delivery Program: Finishing Elements

## Cover Strip

 <p>8mm T-slot Cover      10mm T-slot Cover      10mm Aluminum T-slot Cover</p>	<p>The <i>T-slot Cover Strip</i> provides a finished appearance to the profile T-slot and prevents accumulation of dirt and debris in the T-slot. Rigid PVC cover strips are 2000mm long and available in light gray or black. Aluminum cover strips are 2000mm long.</p> <p>For complete engineering and design information: <b>GoTo</b> <a href="http://www.boschrexroth-us.com/GoToCover">www.boschrexroth-us.com/GoToCover</a></p>
--	--

### Features:

- Cover Strips install anywhere along the profile T-slot and are easy to cut to the desired length.
- Aluminum Cover Strips match profile finish for a clean finished look.
- Use to conceal wires.




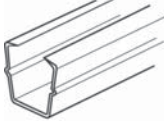
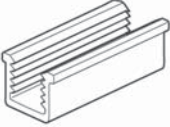
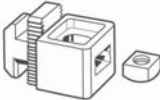
### Technical Data

- Cover Strip material is Rigid PVC, 2000mm long
- Aluminum Cover Strip material is anodized aluminum

See Page 25 for part numbers and ordering information

GoTo Focused Delivery Program: Other Accessories

## Other Accessories

		
Medium Strap Handle	8mm Panel Support Insert	Variofix Clip
		
10mm Panel Support Insert	10mm Heavy Duty Panel Support Insert	8mm or 10mm Variofix Fastener- (no clip)

It's easy to customize your structure with these accessories from Bosch Rexroth. *Strap Handles* are ideal for sliding doors and panels and attach easily to material trays or anything that uses a 10mm or 8mm T-slot. *Panel Support Inserts* make it easy to install panels or panes securely into the T-slot. *Variofix Blocks* can be used to mount panels, panes, and plates up to 13mm thick into profiles with either 8mm or 10mm T-slots. They are easy to install and allow quick installation of the panel after the frame structure has been built.

For complete engineering and design information:  
GoTo [www.boschrexroth-us.com/GoToAccessories](http://www.boschrexroth-us.com/GoToAccessories)

### Features:

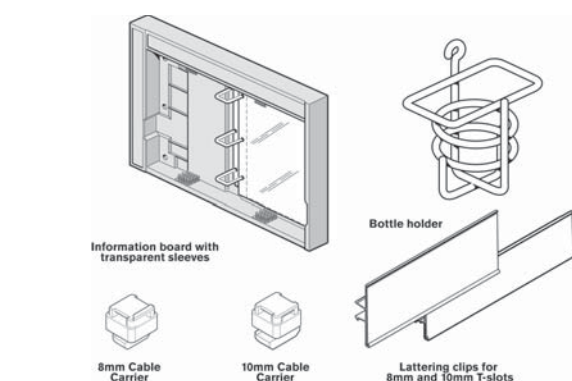
- Strap Handle fits both 8mm and 10mm T-slots. Sturdy design provides a solid grip.
- Panel Support Inserts are designed to prevent panels from shifting within the T-slot. They feature snap-in installation and can be inverted for use as a black T-slot cover strip. Inserts are 2000mm long and can be cut to fit with standard hand tools.
- Variofix Blocks can be used after the structure is completed. Simple twist lock installation in the profile T-slot provides a secure mounting surface. Panels can be secured either with the detent clip or an M6 screw (not provided) into the pre-installed M6 nut. When using an M6 screw the panel or pane must be pre-drilled.

### Technical Data

- Panel Support Insert material: black polypropylene
- Variofix Block material: black polyamide
- Variofix detent material: clear plastic

GoTo Focused Delivery Program: Other Accessories

## Other Accessories



Information board with transparent sleeves

8mm Cable Carrier

10mm Cable Carrier

Bottle holder

Lettering clips for 8mm and 10mm T-slots

Workstation accessories such as *Information Boards*, *Bottle Holders* and *Lettering Clips* help maximize ergonomics and worker efficiency.

When you need to secure wires and pneumatic tubing directly to a structure install the 8mm or 10mm *Cable Carrier* at any location along the profile T-slot.

Routing cables on your 10mm T-slotted profile workstations is easy with snap-in *Cable Conduit*.

For complete engineering and design information:  
GoTo [www.boschrexroth-us.com/GoToAccessories](http://www.boschrexroth-us.com/GoToAccessories)

### Features:

- Information boards allow display of assembly instructions, test information, and other worksite documents. They can be positioned at eye level and mounted vertically or horizontally to T-slotted profiles.
- Bottle holders keep the worktable surface clutter-free and help prevent spills.
- Lettering clips are perfect for labeling flow racks, workstations and material shuttles.
- Cable Carriers install easily anywhere along the profile T-slot with a simple twist lock connection. They can be easily removed and re-positioned as requirements change.
- Cable conduit provides an attractive and protective conduit to hold cables or electrical wires on profile structures. It easily snaps into the T-slot of 10mm T-slotted profiles. Clip-open top simplifies insertion and routing of cables even on complicated structures.

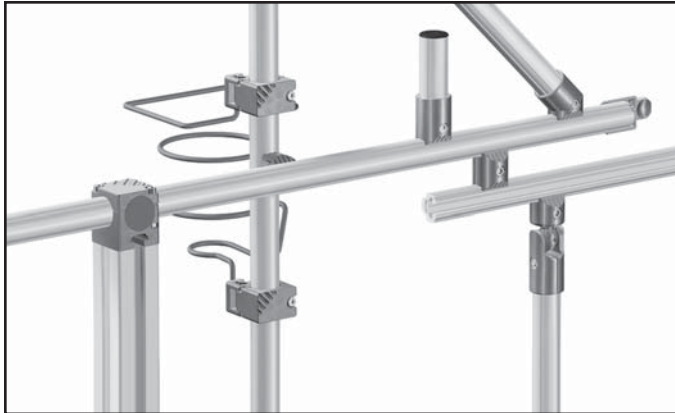
### Technical Data

- Information board material: dark gray ABS plastic
- Bottle holder material: light gray plastic-coated wire
- Lettering clip material: PVC
- Cable Carrier material: black polyamide
- Cable conduit material: black PVC plastic

See Page 26 for part numbers and ordering information

GoTo Focused Delivery Program: EcoShape

## EcoShape Tubular Framing



Rexroth's tubular framing system EcoShape enables connections between square and round elements. Anodized aluminum round tube elements and intelligent, two-piece, die-cast zinc connectors make it easy to create custom workstations, material shuttles, or flow racks. EcoShape Starter Kit includes 50 standard round tube elements and 20 T-slot enabled elements in 5600 mm lengths, as well as hundreds of EcoShape connection elements.

For complete engineering and design information:  
GoTo [www.boschrexroth-us.com/GoToEcoShape](http://www.boschrexroth-us.com/GoToEcoShape)

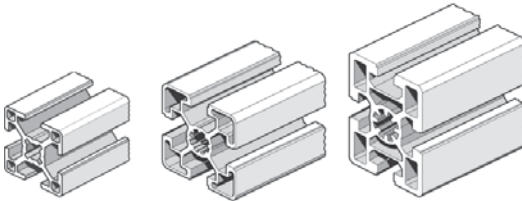
### Features:

- Easy handling: cut and assemble on site
- Recyclable aluminum profiles
- Only 14 standard components
- ESD-conductive material
- Modular system based on the kaizen principle
- Time-saving, error-free assembly (poka yoke)
- Fast planning with MTpro software

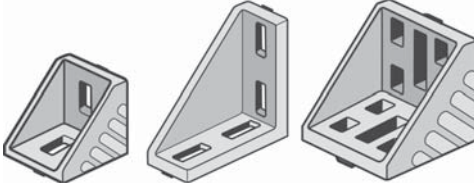
### Technical Data

- Anodized aluminum profiles  
Material number according to DIN (ISO)– Metric 3.3206.7 (U.S. Equivalent 6063 T6)
- Round tube connectors & adapters  
Material: Diecast zinc
- Cap, D28L threaded sleeve, XLean holder adapter  
Material: PA 66, black
- Slide rail  
Material: PVC, gray

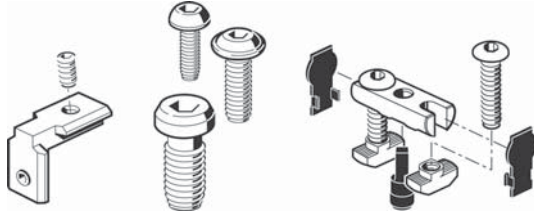
## GoTo Focused Delivery Program: Part Numbers

Page Number	Part Number	Description	Maximum Quantity	Shipment
		 <p style="text-align: center;"><b>GoTo <a href="http://www.boschrexroth-us.com/GoToProfiles">www.boschrexroth-us.com/GoToProfiles</a></b></p> <p><b>Profiles</b></p>		
6	3842 517 179	Profile 20x20, pkg. of 20, 3000mm long	1	24hr
6	3842 517 173	Profile 20x20, single, 3000mm long	20	24hr
6	3842 501 574	Profile 30x30, pkg. of 20, 6000mm long	1	24hr
6	3842 502 538	Profile 30x30, single, 6000mm long	20	24hr
6	3842 512 603	Profile 30x60, pkg. of 20, 5600mm long	1	24hr
6	3842 512 930	Profile 30x60, single, 5600mm long	20	24hr
6	3842 529 339	Profile 40x40, pkg. of 20, 6000mm long	1	24hr
6	3842 529 340	Profile 40x40, single, 6000mm long	20	24hr
6	8981 004 744	Profile 45x45, pkg. of 20, 6000mm long	2	24hr
6	8981 004 773	Profile 45x45, single, 6000mm long	40	24hr
6	3842 315 100	Profile 45x45H, pkg. of 20, 6000mm long	1	24hr
6	3842 507 125	Profile 45x45H, single, 6000mm long	20	24hr
6	3842 315 122	Profile 45x60H, pkg. of 20, 6000mm long	1	24hr
6	3842 507 127	Profile 45x60H, single, 6000mm long	12	24hr
6	3842 511 782	Profile 45x90, pkg. of 12, 5600mm long	1	24hr
6	3842 511 781	Profile 45x90, single, 5600mm long	1	24hr
6	3842 509 658	Profile 90x90, pkg. of 6, 5600mm long	1	24hr
6	3842 509 659	Profile 90x90, single, 5600mm long	6	24hr
6	3842506963	Strut Profile, 45x45L 3N L=5700	20	24hr
6	3842506959	Strut Profile, 45x45L 3N 20X5600MM	1	24hr
6	3842507716	Strut Profile, 60x60 L=6100	20	24hr
6	3842315126	Strut Profile, 60x60 LE20 6 M	1	24hr
6	3842511871	Strut Profile, 60x60L L=5700	20	24hr
6	3842511872	Strut Profile, 60x60L 20X5600MM	1	24hr
6	3842506961	Strut Profile, 45x45L 2NVS;L=5700	20	24hr
6	3842506957	Strut Profile, 45x45L 2NVS 20X5600MM	1	24hr
6	3842529342	Strut Profile, 40x80L L=6170	12	24hr
6	3842529341	Strut Profile, 40x80L 12X6070MM	1	24hr
6	3842517178	Strut Profile, 20x40 L=3100	24	24hr
6	3842537816	Strut Profile, 20x40 24X3000MM	1	24hr

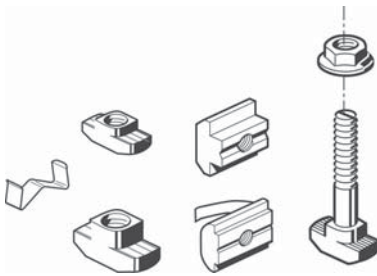
GoTo Focused Delivery Program: Part Numbers

Page Number	Part Number	Description	Minimum Quantity	Shipment
		 <p><b>GoTo <a href="http://www.boschrexroth-us.com/GoToGussets">www.boschrexroth-us.com/GoToGussets</a></b></p> <p><b>Gussets</b></p>		
7	3842 523 508	20x20 Gusset Only	100	24hr
7	3842 523 511	20x20 Gusset with fasteners	75	24hr
7	3842 523 520	20x40 Gusset with fasteners	20	24hr
7	3842 523 525	30x30 Gusset Only	100	24hr
7	3842 523 528	30x30 Gusset with fasteners	100	24hr
7	3842 523 530	30x30 Gusset with fasteners, 8mm to 10mm	20	24hr
7	3842 523 538	30x60 Gusset only	20	24hr
7	3842 523 541	30x60 Gusset with fasteners	30	24hr
7	3842 528 967	40x40 Gusset Only	20	24hr
7	3842 529383	40x40 Gusset with fasteners	40	24hr
7	3842 523 558	45x45 Gusset Only	250	24hr
7	3842 523 561	45x45 Gusset with fasteners	250	24hr
7	3842 523 563	45x45 Round cover cap	75	24hr
7	3842 523 567	45x90 Gusset Only	100	24hr
7	3842 523 570	45x90 Gusset with fasteners	200	24hr
7	3842 523 546	60x60 Gusset Only	50	24hr
7	3842 523 553	60x60 Gusset with fasteners	20	24hr
7	3842 523 575	90x90 Gusset Only	50	24hr
7	3842 523 578	90x90 Gusset with fasteners	50	24hr
7	3842 518 424	45mm adjustable gusset with fasteners	20	24hr
7	3842 515 547	30mm adjustable gusset with fasteners	10	24hr
7	3842 536 672	40/45 Panel mount gusset with fasteners	20	24hr

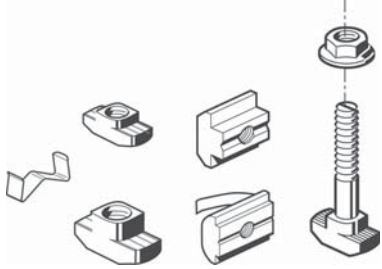
## GoTo Focused Delivery Program: Part Numbers

Page Number	Part Number	Description	Maximum Quantity	Shipment
		 <p style="text-align: center;"><b>GoTo <a href="http://www.boschrexroth-us.com/GoToConnectors">www.boschrexroth-us.com/GoToConnectors</a></b></p> <p><b>Profile Connectors</b></p>		
8	3842 535 571	10mm Inside-to-inside gusset (Lot size 10)	40	24hr
8	3842 535 577	8mm Inside-to-inside gusset (Lot size 10)	40	24hr
8	3842 535 578	8mm Inside-to-outside gusset (Lot size 10)	20	24hr
8	3842 535 572	10mm Inside-to-outside gusset (Lot size 10)	20	24hr
8	3842 523 968	S6x16 Self-tapping connection screw, 4mm socket head	300	24hr
8	3842 523 970	S8x25 Self-tapping connection screw, 5mm socket head	300	24hr
8	3842 527 174	S8x25 Self-tapping connection screw, T-40 Torx head	100	24hr
8	8981 021 302	S12x30 Self-tapping connection screw, 8mm socket head	300	24hr
8	3842 530 236	S12x30 Self-tapping connection screw, T-50 Torx head	20	24hr
8	8981 021 301	M12x30 Connection screw, 8mm socket head	300	24hr
8	3842 530 235	M13x30 Connection screw, T50 Torx head	40	24hr
8	3842 535 459	8mm Quick Connector/Rigid, Vertical Access (Lot size 10)	40	24hr
8	3842 535 465	8mm Quick Connector/Rigid, Horizontal Access (Lot size 10)	20	24hr
8	3842 535 458	10mm Quick Connector/Rigid, Vertical Access (Lot size 10)	200	24hr
8	3842 535 466	10mm Quick Connector/Rigid, Horizontal Access (Lot size 10)	50	24hr
9	3842 528 746	10mm Connection Link Kit, 180mm long	10	24hr
9	3842 535 624	30mm Bolt Connector Kit (Lot size 10)	20	24hr
9	3842 535 583	30mm Bolt Connector Kit 8mm to 10mm (Lot size 10)	10	24hr
9	3842 500 921	45mm Bolt Connector Kit (Lot size 10)	100	24hr
9	3842 500 923	90mm Bolt Connector Kit (Lot size 10)	50	24hr
9	8981019448	Stiffening Plate CRNR JOIN PLT 45 SER	10	24hr
9	8981019457	Stiffening Plate CRNR JN PLATE 30 SER	10	24hr
9	8981019450	Stiffening Plate T-JNCTN PLT 45 SER	10	24hr
9	8981019461	Stiffening Plate T-JNCTN JN PLT 30 SER	10	24hr
9	8981019449	Stiffening Plate JOIN PLATE 45 SER	10	24hr
9	8981019458	Stiffening Plate RCTNGR JN PLT 30 SER	10	24hr
9	8981019452	Stiffening Plate CRNR JOIN PLT 90 SER	10	24hr
9	8981019455	Stiffening Plate T-JNCTN JN PLT 90 SER	10	24hr

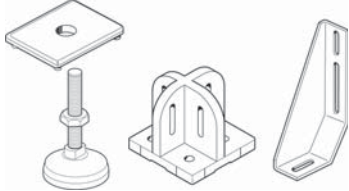
GoTo Focused Delivery Program: Part Numbers

Page Number	Part Number	Description	Maximum Quantity	Shipment
		 <p style="text-align: center;"><i>GoTo <a href="http://www.boschrexroth-us.com/GoToT-Connectors">www.boschrexroth-us.com/GoToT-Connectors</a></i></p> <p><b>T-nuts and T-bolts</b></p>		
10	3842 523 135	6mm T-nut, M4 threads	200	24hr
10	3842 501 751	8mm T-nut, M4 threads	100	24hr
10	3842 501 752	8mm T-nut, M5 threads	100	24hr
10	3842 501 753	8mm T-nut, M6 threads	300	24hr
10	8981 020 861	8mm T-nut, M6 threads, nickel-plated	20	24hr
10	8981 016 124	8mm T-nut, 1/4" X 20 U.N.C. threads	50	24hr
10	8981 016 122	8mm T-nut, 8-32 U.N.C. threads	20	24hr
10	8981 016 123	8mm T-nut, 10-32 U.N.F. threads	60	24hr
10	3842 530 281	10mm T-nut, M4 threads	100	24hr
10	3842 530 283	10mm T-nut, M5 threads	200	24hr
10	3842 530 285	10mm T-nut, M6 threads	300	24hr
10	3842 530 287	10mm T-nut, M8 threads	400	24hr
10	8981 019 580	10mm T-nut, M8 threads, nickel-plated	10	24hr
10	8981 021 323	10mm T-nut, 1/4" x 20 U.N.C. threads	300	24hr
10	8981 021 324	10mm T-nut, 5/16" x 18 U.N.C. threads	200	24hr
10	8981 021 321	10mm T-nut, 8-32 U.N.C. threads	20	24hr
10	8981 021 322	10mm T-nut, 10-32 U.N.F. threads	60	24hr
10	3842 111 987	10mm Plastic T-nut, M4 threads (Lot size 100)	30	24hr
10	3842 111 988	10mm Plastic T-nut, M5 threads (Lot size 100)	40	24hr
10	3842 111 989	10mm Plastic T-nut, M6 threads (Lot size 100)	10	
10	8981 019 577	8mm T-bolt fastening kit, L=14mm	100	24hr
10	8981 019 578	8mm T-bolt fastening kit, L=18mm	100	24hr
10	8981 019 579	8mm T-bolt fastening kit, L=23mm	20	24hr
10	8981 021 342	10mm T-bolt fastening kit, L=14mm	200	24hr
10	8981 021 343	10mm T-bolt fastening kit, L=19mm	300	24hr
10	8981 021 344	10mm T-bolt fastening kit, L=24mm	200	24hr
10	8981 021 345	10mm T-bolt fastening kit, L=34mm	100	24hr
10	8981 021 346	10mm T-bolt fastening kit, L=44mm	30	24hr
10	8981 021 347	10mm T-bolt fastening kit, L=54mm	20	24hr
10	8981 021 555	10mm T-bolt fastening kit, L=1", 5/16-18	20	24hr
10	8981 021 554	10mm T-bolt fastening kit, L=3/4", 5/16-18	10	24hr
10	3842 345 081	M8 Flange nut only for 10mm T-nut	200	24hr

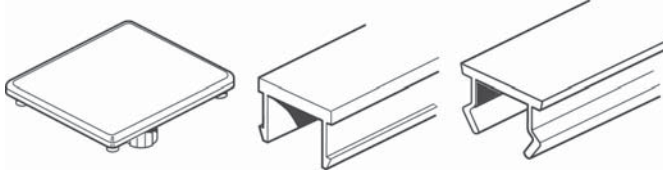
GoTo Focused Delivery Program: Part Numbers

Page Number	Part Number	Description	Maximum Quantity	Shipment
		 <p data-bbox="558 625 1187 657"><i>GoTo <a href="http://www.boschrexroth-us.com/GoToT-Connectors">www.boschrexroth-us.com/GoToT-Connectors</a></i></p> <p data-bbox="509 695 1057 726"><b>T-Blocks, Springs and Swivel-in T-Blocks</b></p>		
11	3842 523 140	6mm T-block, M4	100	24hr
11	3842 523 142	6mm T-block, M5	30	24hr
11	3842 523 145	Spring for 6mm T-block	40	24hr
11	3842 514 928	8mm T-block, M4	40	24hr
11	3842 514 929	8mm T-block, M5	50	24hr
11	3842 514 930	8mm T-block, M6	50	24hr
11	3842 514 931	8mm T-block, M8	50	24hr
11	3842 516 685	Spring for 8mm T-block	50	24hr
11	3842 528 741	10mm T-block, M5	20	24hr
11	3842 528 738	10mm T-block, M6	100	24hr
11	3842 528 735	10mm T-block, M8	100	24hr
11	3842 516 669	Spring for 10mm T-block	50	24hr
11	3842 529 320	8mm Swivel-in T-block, M6	20	24hr
11	3842 529 296	8mm Swivel-in T-block with spring M5	20	24hr
11	3842 529 297	8mm Swivel-in T-block with spring M8	20	24hr
11	3842 529 324	10mm Swivel-in T-block, M8	20	24hr
11	3842 529 299	10mm Swivel-in T-block with spring M6	20	24hr
11	3842 529 300	10mm Swivel-in T-block with spring M8	50	24hr

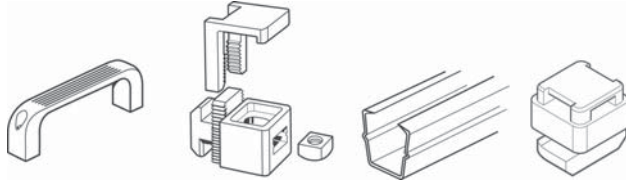
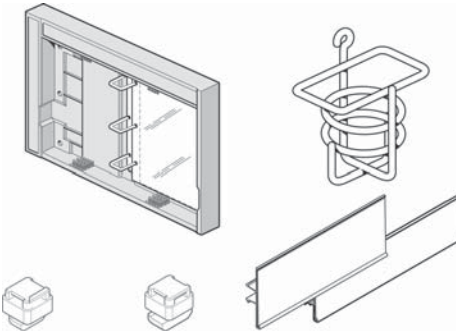
GoTo Focused Delivery Program: Part Numbers

Page Number	Part Number	Description	Maximum Quantity	Shipment
		 <p><b>GoTo <a href="http://www.boschrexroth-us.com/GoToFloor">www.boschrexroth-us.com/GoToFloor</a></b></p> <p><b>Floor to Frame Elements</b></p>		
12	3842 502 257	M8x30 Leveling Foot (for 8mm T-slotted profiles)	12	24hr
12	3842 352 061	M12x44 Leveling Foot (for 10mm T-slotted profiles)	20	24hr
12	3842 511 893	M12x58 Leveling Foot (for 10mm T-slotted profiles)	20	24hr
12	3842 311 951	M16x90x145 Leveling Foot (for 10mm T-slotted profiles)	12	24hr
12	3842 523 442	45x45 End Cap with hole	20	24hr
13	3842 146 815	160mm Foundation Bracket	20	24hr
13	3842 146 848	210mm Foundation Bracket	20	24hr
13	8981 003 224	210mm Foundation Bracket with mounting hardware	20	24hr
13	3842 523 583	45x180 Foundation Bracket	10	24hr
13	3842 526 560	8mm Anchor bolt, L=76mm	20	24hr
13	3842 527 553	120x120x110 Footplate	12	24hr
13	3842529025	M12x72.5 Leveling Foot, D30	20	24hr

## GoTo Focused Delivery Program: Part Numbers

Page Number	Part Number	Description	Maximum Quantity	Shipment
		 <p style="text-align: center;"><i>GoTo <a href="http://www.boschrexroth-us.com/GoToCover">www.boschrexroth-us.com/GoToCover</a></i></p> <p><b>End Caps and Cover Strip</b></p>		
14	3842 517 243	20x20 End Cap (black)	50	24hr
14	3842 501 232	30x30 End Cap (black)	200	24hr
14	3842 516 506	30x30 End Cap (light gray)	20	24hr
14	3842 528 968	40x40 End Cap (black)	30	24hr
14	3842 502 674	45x45 End Cap (black)	300	24hr
14	3842 517 058	45x45 End Cap (black) ESD	30	24hr
14	3842 517 059	45x45 End Cap (light gray)	20	24hr
14	3842 523 442	45x45 End Cap with hole	20	24hr
14	3842 511 783	45x90 End Cap (black)	50	24hr
14	3842 511 874	60x60 End Cap (black)	20	24hr
14	3842 516 214	90x90 End Cap (black)	20	24hr
15	3842 501 962	8mm T-slot Cover strip, black PVC, 2000mm	50	24hr
15	3842 518 375	8mm T-slot Cover strip, light gray PVC, 2000mm	30	24hr
15	3842 146 901	10mm T-slot Cover strip, black PVC, 2000mm	100	24hr
15	3842 518 367	10mm T-slot Cover strip, light gray PVC, 2000mm	50	24hr
15	3842 518 369	10mm T-slot Cover strip, yellow PVC, 2000mm	50	24hr
15	3842 523 258	10mm T-slot Cover strip, Aluminum, 2000mm	50	24hr

GoTo Focused Delivery Program: Part Numbers

Page Number	Part Number	Description	Maximum Quantity	Shipment
		 <p style="text-align: center;"><b>GoTo <a href="http://www.boschrexroth-us.com/GoToAccessories">www.boschrexroth-us.com/GoToAccessories</a></b></p> <p><b>Other Accessories</b></p>		
16	3842 525 480	Medium strap handle, 8mm or 10mm T-slot	50	24hr
16	3842 525 766	Large strap handle, 8mm or 10mm T-slot	10	24hr
16	3842 519 565	Panel support base, 2000mm	30	24hr
16	3842 519 567	Panel support glazing strip, 2000mm	30	24hr
16	3842 518 347	8mm panel support insert, 2000mm	50	24hr
16	3842 518 351	10mm panel support insert, 2000mm	50	24hr
16	3842 146 906	Heavy Duty 10mm panel support insert, 2000mm	50	24hr
16	3842 535 696	8mm Variofix Fastener without clip	50	24hr
16	3842 529 239	10mm Variofix Fastener without clip	100	24hr
16	3842 184 738	8mm & 10mm Variofix detent clip	20	24hr
		 <p style="text-align: center;"><b>GoTo <a href="http://www.boschrexroth-us.com/GoToAccessories">www.boschrexroth-us.com/GoToAccessories</a></b></p>		
17	3842 540 429	Bottle holder, ESD	2	24hr
17	3842 537 135	Rubber profile footrest, 2000mm, ESD (Lot size 10)	1	24hr
17	3842 517 164	Information board	2	24hr
17	3842 539 839	Removable transparent sleeves (Lot size 10)	30	24hr
17	3842 537 650	Lettering clip 22x102mm	10	24hr
17	3842 537 651	Lettering clip 38x102mm	10	24hr
17	3842 526 565	Cable Carrier for 8mm T-slots	50	24hr
17	3842 526 564	Cable Carrier for 10mm T-slots	200	24hr
17	3842 523 014	Cable conduit 45x45, 2000mm	10	24hr

GoTo Focused Delivery Program: Part Numbers

Page Number	Part Number	Description	Maximum Quantity	Shpment
		 <p style="text-align: center;"><b>GoTo <a href="http://www.boschrexroth-us.com/GoToEcoShape">www.boschrexroth-us.com/GoToEcoShape</a></b></p> <p><b>EcoShape Tubular Framing</b></p>		
18	3842541173	Connector, 90°	200	24hr
18	3842541175	Connector, 45°	20	24hr
18	3842541178	Connector, 0°-90°	20	24hr
18	3842541181	Connector, Cross	20	24hr
18	3842541183	Connector, Parallel	20	24hr
18	3842541185	Threaded Sleeve, D28L	60	24hr
18	3842541187	Adapter, N10/45	20	24hr
18	3842541190	Adapter, N10/30	20	24hr
18	3842541193	Pipe Clamp, D28 N10	20	24hr
18	3842541195	Cap Cover, D28L, BLACK ESD	60	24hr
18	3842541196	Slide Rail, GREY L=2000MM	10	24hr
18	3842541211	Section Tube, D28L 50X5600	1	24hr
18	3842541212	Section Tube, D28L L=5600MM	50	24hr
18	3842541213	Section Tube, D28L/N10 20X5600	1	24hr
18	3842541214	Section Tube, D28L/N10 L=5600MM	20	24hr
18	3842541296	Adapter, XLEAN RAIL HOLDER	20	24hr
18	3842555000	EcoShape Starter Kit	1	24hr

**Bosch Rexroth Corporation**

Corporate Headquarters  
5150 Prairie Stone Parkway  
Hoffman Estates, IL 60192-3707  
Telephone (847) 645-3600  
Facsimile (847) 645-6201  
www.boschrexroth-us.com

**USA**

Bosch Rexroth Corporation  
Electric Drives and Controls  
5150 Prairie Stone Parkway  
Hoffman Estates, IL 60192-3707  
Telephone (847) 645-3600  
Facsimile (847) 645-6201

Bosch Rexroth Corporation  
Hydraulics  
2315 City Line Road  
Bethlehem, PA 18017-2131  
Telephone (610) 694-8300  
Facsimile (610) 694-8467

Bosch Rexroth Corporation  
Linear Motion and Assembly  
Technologies  
14001 South Lakes Drive  
Charlotte, NC 28273  
Telephone (800) 438-5983  
Facsimile (704) 583-0523

816 E. Third Street  
Buchanan, MI 49107  
Telephone (800) 322-6724  
Facsimile (269) 695-3446

Bosch Rexroth Corporation  
Hydraulics  
8 Southchase Court  
Fountain Inn, SC 29644-9018  
Telephone (864) 967-2777  
Facsimile (864) 967-8900

Bosch Rexroth Corporation  
Pneumatics  
1953 Mercer Road  
Lexington, KY 40511-1021  
Telephone (859) 254-8031  
Facsimile (859) 281-3491

**Bosch Rexroth**

**Regional Sales Offices:**

**Central**

Bosch Rexroth Corporation  
2150 Point Boulevard, Suite 800  
Elgin, IL 60123  
Telephone (224) 293-3551  
Facsimile (847) 551-9812

**Great Lakes**

Bosch Rexroth Corporation  
2730 Research Drive  
Rochester Hills, MI 48309  
Telephone (248) 267-4000  
Facsimile (248) 853-2033

**Northeast**

Bosch Rexroth Corporation  
99 Rainbow Road  
East Granby, CT 06026  
Telephone (860) 844-8377  
Facsimile (860) 844-8595

Bosch Rexroth Corporation  
2315 City Line Road  
Bethlehem, PA 18017-2131  
Telephone (610) 694-8300  
Facsimile (610) 694-8467

**Southeast**

Bosch Rexroth Corporation  
14001 South Lake Drive  
Charlotte, NC 28273  
Telephone (800) 438-5983  
Facsimile (704) 583-0523

**Southwest**

Bosch Rexroth Corporation  
1520 Selene Drive, Suite 104  
Carrollton, TX 75006  
Telephone (972) 245-6718  
Facsimile (972) 242-2850

**West**

Bosch Rexroth Corporation  
7901 Stoneridge Drive, Suite 220  
Pleasanton, CA 94588  
Telephone (925) 227-1074  
Facsimile (925) 227-1081

Bosch Rexroth Corporation  
13766 Alton Parkway, Suite 147  
Irvine, CA 92618-1622  
Telephone (949) 609-1640  
Facsimile (888) 873-3434

The data specified herein only serves to describe the product. No statements concerning a certain condition or suitability for a certain application can be derived from our information. The given information does not release the user from obligation of own judgment and verification. It must be remembered that our products are subject to a natural process of wear and aging.

©This document, as well as the data, specifications and other information set forth in it, are the exclusive property of Bosch Rexroth Corp. Without their consent it may not be reproduced or given to third parties.